

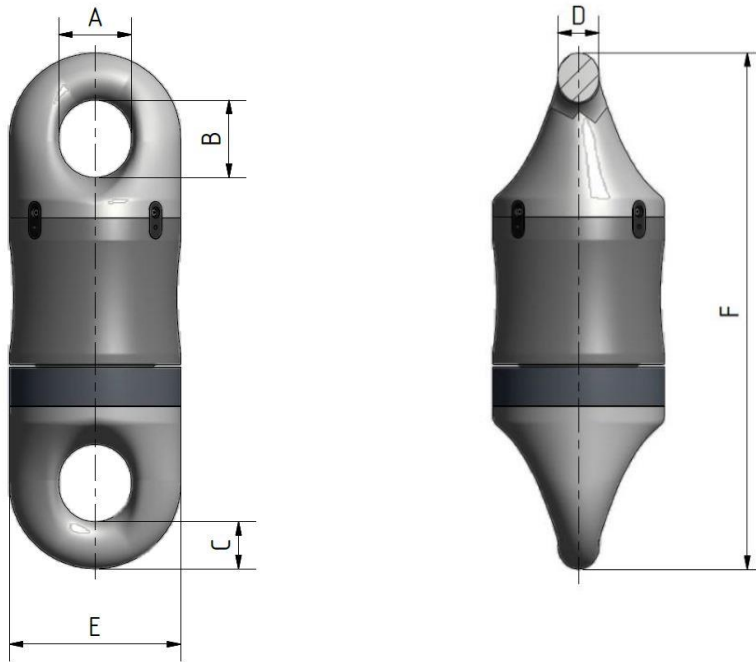
Swivels



Nautilus Swivel

Type Approved by DNV-GL, ABS

Offshore accessory to be used for Temporary, Mobile and Long Term Mooring



Nautilus	chain dia.	A	B	F	D	C	E	PL kN	MBL kN
450-600 to	70-76	135	145	967	77	88	320	4731	6022
850 to	84-89	140	145	920	84	93	360	6602	8418
1000 to	95-102	180	160	1009	100	110	400	8246	10512



Type approved by:

Application:

Manufactured & Tested:

Material:

Features:

DNV-GL, ABS

Temporary and Mobile Mooring

in Germany by Feubo

Forged Steel – Grade R4, R5

Slide bearings, Roller bearings